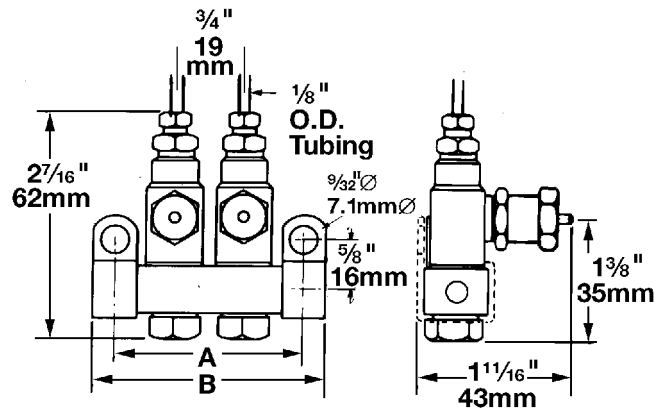


Series SL-42



- For single-line central lubrication system.
- For dispensing fluid or semi-fluid lubricants.
- Output is externally adjustable.
- Indicator stem permits visual check of injector operation.
- May be combined in a circuit of injectors SL-43, SL-41 and/or SL-44.
- Individual injectors can be easily removed for inspection or replacement.
- Carbon steel injectors with Nitrile or Viton packings.
- Injectors with Viton packings are used for heat resistant applications or when lubricant to be dispensed requires Viton packings for compatibility (indicated by black adjustment caps).

Specifications:

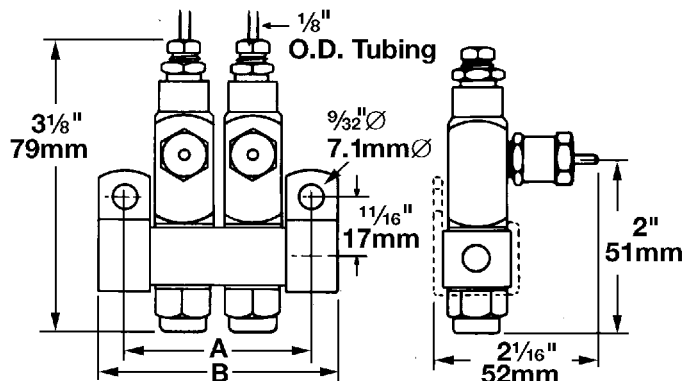
Series	Output		Operating Pressure			
	Min	Max	Min	Max	Typical	Vent
SL-42	.001 cu. in. .016 cc	.003 cu. in. .049 cc	750 psig 52 bar	1000 psig 69 bar	850 psig 59 bar	150 psig 10 bar

Model		Number of Outlets	Connections		Dimensions				
Carbon Steel			Manifold/ Injector Inlet	Injector Outlet	A		B		
Standard	Heat Resistant				in	mm	in	mm	
83311-1	84428-1	1	1/8" NPTF (F)	1/8" O.D. Tube Connection	1 1/8	29	1 1/8	41	
83311-2	84428-2	2			1 3/8	48	2 3/8	60	
83311-3	84428-3	3			2 5/8	67	3 3/8	79	
83311-4	84428-4	4			3 3/8	86	3 7/8	98	
83311-5	84428-5	5			4 1/8	105	4 5/8	117	
83311-6	84428-6	6			4 7/8	124	5 3/8	137	
83311-10	84428-10	10			7 7/8	200	8 3/8	213	
83311-15	84428-15	15			11 1/8	295	12 1/8	308	
83535	—	1			1/8" NPTF (M)	Single Injector/No Manifold			
83313	84048	—			—	Replacement for manifolded injectors			

Notes:

1. Injectors, except replacement injectors for manifold, include compression nut and ferrule for tubing — 1/8" O.D. as standard. Other outlet connectors for feed line optional.
2. Injectors with manifolds include two mounting clips and screws.
3. Standard injectors have Nitrile packings (200°F/93°C max.); Heat Resistant injectors have Viton packings (350°F/176°C max., depending on lubricant used). Check packing compatibility with synthetic lubricants.
4. Output with indicator cap hand tightened is .001 cu. in. Maximum output is achieved with two turns at .001 cu. in./turn.

Series SL-43



- For single-line central lubrication system.
- For dispensing fluids or semi-fluid lubricants.
- Output is externally adjustable.
- Indicator stem permits visual check of injector operation.
- May be combined in a circuit of injectors SL-42, SL-41 and/or SL-44.
- Individual injectors can be easily removed for inspection or replacement.
- Carbon steel injectors with Nitrile or Viton packings.
- Injectors with Viton packings are used for heat resistant applications or when lubricant to be dispensed requires Viton packings for compatibility (indicated by black adjustment caps).

Specifications:

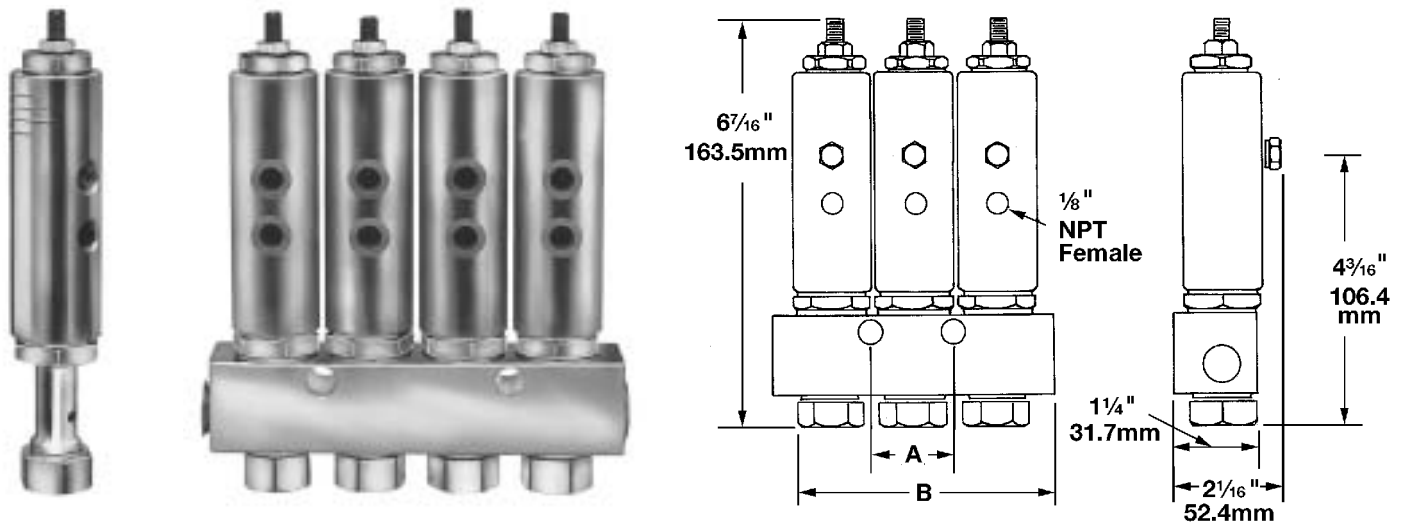
Series	Output		Operating Pressure			
	Min	Max	Min	Max	Typical	Vent
SL-43	.001 cu. in. .016 cc	.008 cu. in. .131 cc	750 psig 52 bar	1000 psig 69 bar	850 psig 59 bar	150 psig 10 bar

Model		Number of Outlets	Connections		Dimensions			
Carbon Steel			Manifold/ Injector Inlet	Injector Outlet	A		B	
Standard	Heat Resistant				in	mm	in	mm
83661-1	84429-1	1	1/4" NPTF (F)	1/8" O.D. Tube Connection	1 1/4	32	1 3/4	44
83661-2	84429-2	2			2	51	2 1/2	63
83661-3	84429-3	3			2 3/4	70	3 1/4	83
83661-4	84429-4	4			3 1/2	89	4	102
83660	84110	—	—	—	Replacement for manifolded injectors			

Notes:

1. Injectors, except replacement injectors for manifold, include compression nut and ferrule for tubing — 1/8" O.D. as standard. Other outlet connectors for feed line optional.
2. Injectors with manifolds include two mounting clips and screws.
3. Standard injectors have Nitrile packings (200°F/93°C max.)
4. Heat Resistant injectors have Viton packings (350°F/176°C max. depending on lubricant used) and Black Adjusting Cap.
5. Check packing compatibility with synthetic lubricants.
6. Output with indicator cap hand tightened is .001 cu. in. Maximum output is achieved with five turns at .0014 cu. in./turn.

Series SL-41



- SL-41 series injectors are designed for use in high temperature applications up to 350°F (176°C), depending on lubricant.
- Available installed only in manifolds with 1/8" NPT female inlet.
- Injectors feature a tamper-resistant adjustment screw which does not incorporate a visual indicator.
- May be combined in a circuit of injectors SL-42, SL-43 and SL-44.

Specifications:

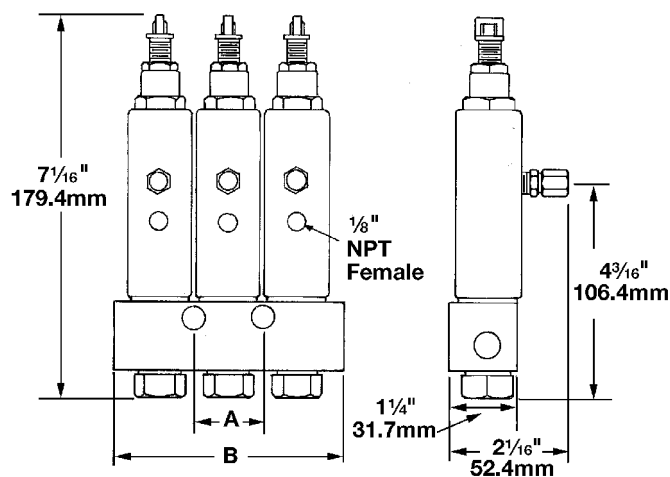
Series	Output		Operating Pressure			
	Min	Max	Min	Max	Typical	Vent
SL-41	.008 cu. in. .131 cc	.080 cu. in. 1.31 cc	750 psig 52 bar	1000 psig 69 bar	850 psig 59 bar	150 psig 10 bar

Model	Number of Outlets	Connections		Dimensions			
		Manifold Inlet	Injector Outlet	A		B	
				in	mm	in	mm
82294-1	1	3/8" NPTF (F)	1/8" NPTF (F)	Single Hole		2 1/2	63
82294-2	2			Mounting		3	76
82294-3	3			1 1/4	32	4 1/4	108
82294-4	4			2 1/2	63	5 1/2	140
82294-5	5			3 3/4	95	6 3/4	171
82295	—	—	—	Replacement for manifolded injector			

Notes:

1. Injector manifolds have 13/32" (10.3 mm) mounting holes for 3/8" bolt.
2. Output with adjustment screw hand tightened is .008 cu. in. Maximum output is achieved with 12 turns at .006 cu. in./turn.

Series SL-44



- For single-line central lubrication system.
- For dispensing fluid or semi-fluid lubricants.
- Output is externally adjustable.
- Indicator stem permits visual check of injector operation.
- May be combined in a circuit of injectors SL-43, SL-41 and/or SL-42.
- Individual injectors can be easily removed for inspection or replacement.
- Carbon steel injectors with Viton packings.

Specifications:

Series	Output		Operating Pressure				Connections	
	Min	Max	Min	Max	Typical	Vent	Manifold Inlet	Injector Outlet
SL-44	.008 cu. in. .131 cc	.080 cu. in. 1.31 cc	750 psig 52 bar	1000 psig 69 bar	850 psig 59 bar	150 psig 10 bar	3/8" NPTF (F)	1/8" NPTF (F)

Model	Number of Outlets	Dimensions			
		A		B	
		in	mm	in	mm
83749-1	1	Single Mounting Hole		2 1/2	63
83749-2	2	Single Mounting Hole		3	76
83749-3	3	1 1/4	32	4 1/4	108
83749-4	4	2 1/2	63	5 1/2	140
83749-5	5	3 3/4	95	6 3/4	171
83748	1	Replacement for manifolded injectors			

Notes:

1. Injector manifolds have 13/32" mounting holes for 3/8" bolt.
2. Injectors have Viton packings. Check packing compatibility with synthetic lubricants.
3. Injectors rated at 350°F (176°C) maximum ambient temperature, depending on lubricant used.
4. Output with adjustment screw hand tightened is .009 cu. in. Maximum output is achieved with eight turns at .009 cu. in./turn.